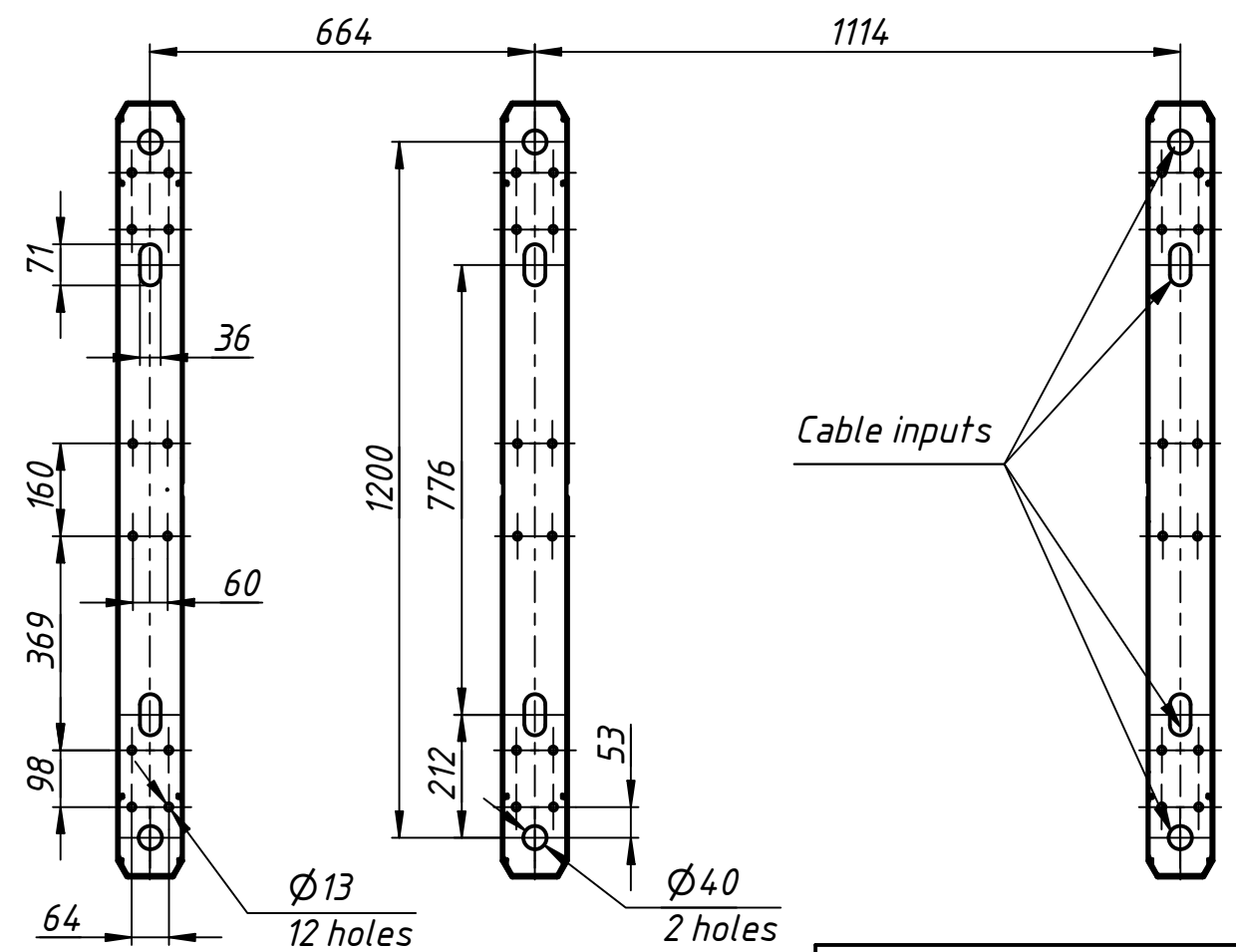
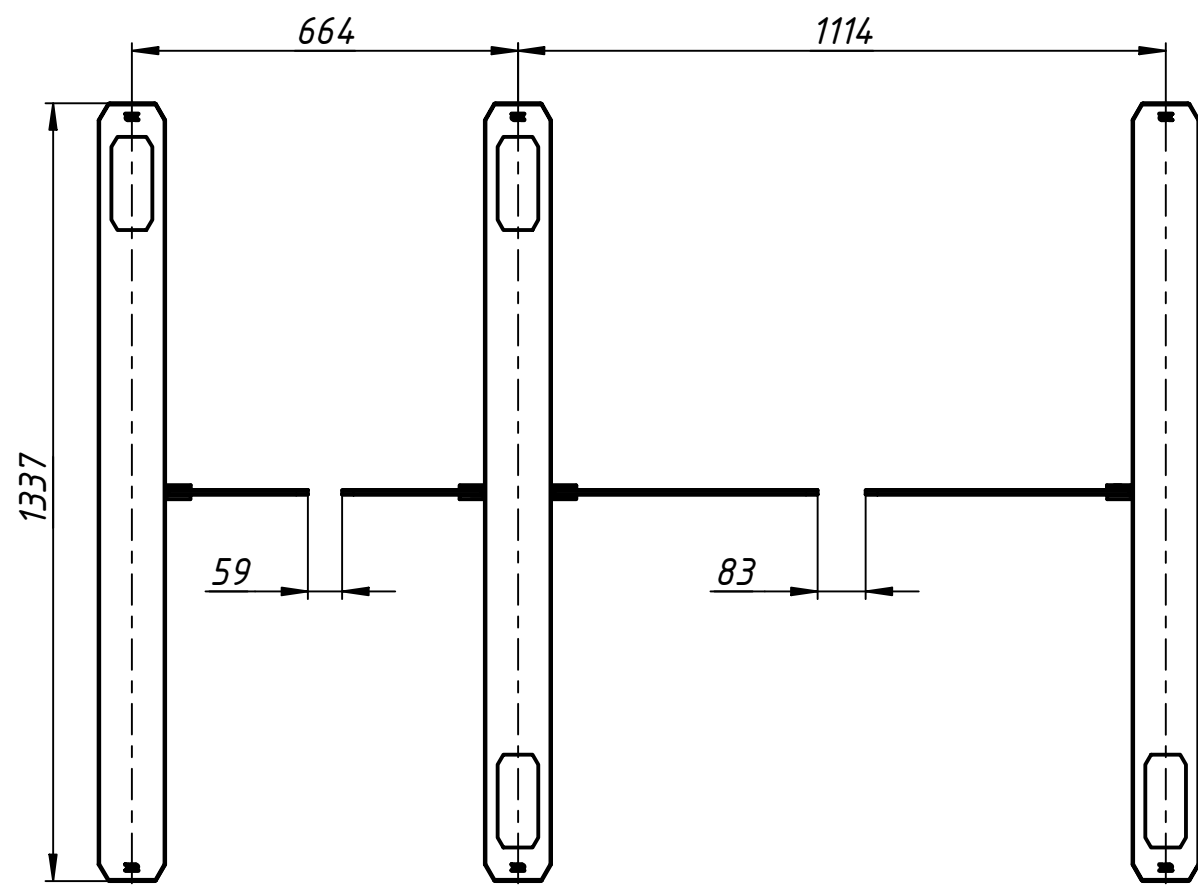


Installation tamplate



Cable inputs



Speed gates
Sweeper-S-BM
550+900
www.tiso.global