

ONYX-XS

Onyx-XS – compact wall-mounted bi-directional motorized tripod with exquisite design.

This highly efficient space-saving access control solution is ideal for areas with limited space.

Smooth and silent operation, LED indicators for clear user guidance, compatibility with various access control systems and RFID readers, reliable servo-driven mechanism with robust locking system and integrated automatic drop-arm system – all these makes Onyx-XS a universal solution to elevate your security to the next level.



SMALL-SIZED RELIABLE TRIPOD TURNSTILE WITH WALL MOUNTING



Key features:

- Space-saving exquisite design;
- Servo-driven mechanism;
- Bi-directional control: allows both entry and exit access control;
- Compatible with various access control systems;
- Integrated drop-arm system with automatic reset;
- Elegant cabinet equipped with integrated LED lighting to display access status;
- Low power consumption;
- Wired remote control panel in standard kit;
- Availability of a backup battery connection;
- Possibility of tripod WI-FI control with the help of TWIC wireless control panel;
- Tripod is supplied ready for installation.



Technical Specifications:

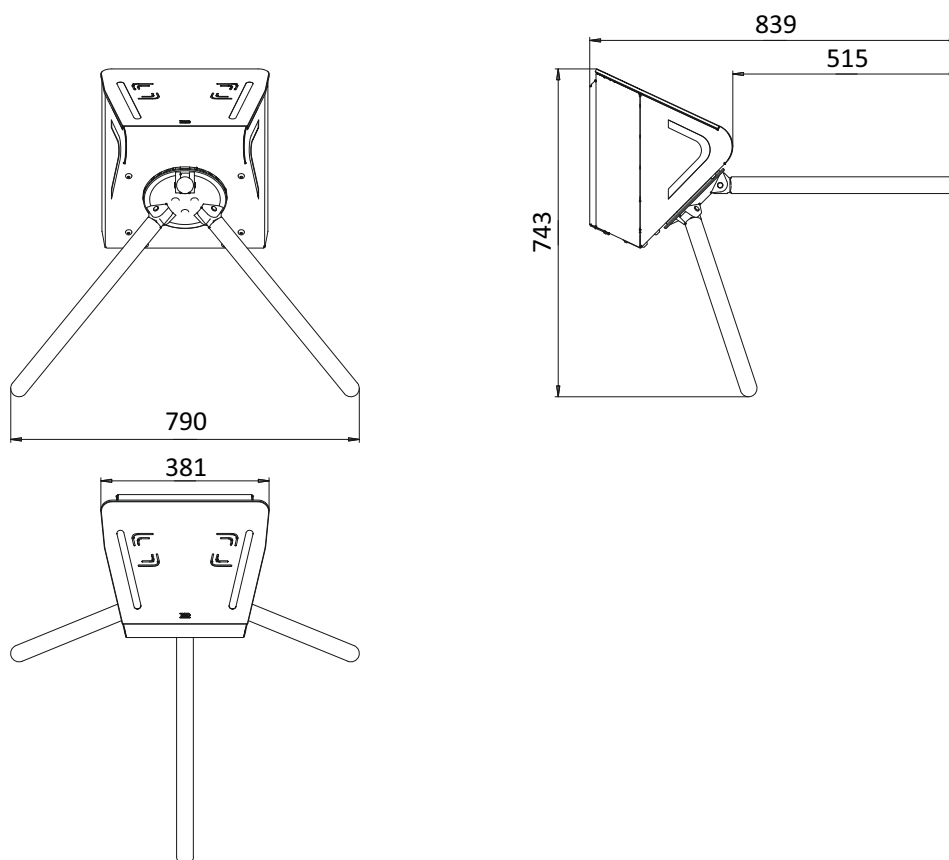
| | |
|-----------------------------|--|
| Model | Onyx-XS |
| Width, mm | 837 |
| Length, mm | 790 |
| Height, mm | 741 |
| Passage width, mm | 600 |
| Mechanism | Servo-driven (Triservo-M) |
| Blocking system | Two electromagnetic stoppers |
| Emergency mode (fire-alarm) | Fail-safe (lowering the leash) |
| Drop arm function | Drop arm function can be activated when power is on Drop arm function activates automatically when power goes off |
| MCBF, cycles | 5 000 000 |

Electrical Specifications:

| | |
|------------------------------|--|
| Maximum power consumption, W | 55 |
| Voltage | From the AC (100-240)V, 50/60Hz; from a DC source 12 V |

Finishing

| | |
|-------------------|--|
| Standard housing | Brushed SS AISI 304 |
| Available housing | Brushed SS AISI 316; Polished SS AISI 304; Polished SS AISI 316; Powder coated RAL |



Specifications are subject to change without prior notice.

