

ONYX-M

Combining sleek, ergonomic design with robust engineering, the Onyx-M turnstile is the epitome of modern interior solutions. Its chic lines encompass a durable chassis and streamlined control system, making it a seamless fit for contemporary spaces.

Driven by an automatic bidirectional servo-drive mechanism and fortified locking system, Onyx-M thrives in high-traffic environments, ensuring dependable operation. With its integrated automatic anti-panic system, it guarantees user safety during emergencies by swiftly lowering its arms, allowing unimpeded passage.



COMBINE SLEEK, ERGONOMIC DESIGN WITH ROBUST ENGINEERING



Key features:

- Seamlessly Integrates with Various Access Control and ID Systems;
- Ergonomically Crafted with Stylish Lines;
- Servo-Driven Tripod Turnstile with Anti-Panic (Drop-Arm) Function;
- Automatic Reset for Anti-Panic Feature;
- Perfect Fusion of Affordability and High Quality;
- Low Power Consumption;
- Backup Battery Power Connection for Continuous Operation;
- Silent Operation Ensures User Comfort;
- Compatible with Ramped Base Mobile Platform (TiSO Frame-M);
- Extensive Array of Accessories for Customization;
- Wired Remote Control Included in Standard Kit;
- Clear Guidance with 4 LED Indicators
- Built-In Space for RFID Readers Under Top Glass;
- Turnstile Supplied Ready for Installation.



Technical Specifications:

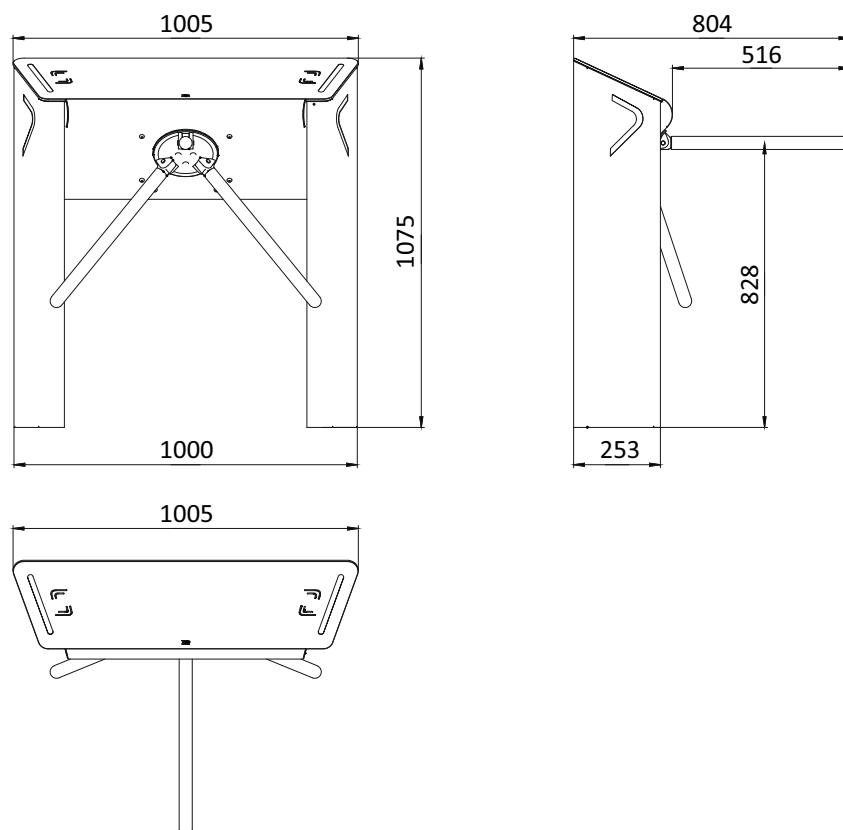
Model	Onyx-M
Width, mm	802
Length, mm	1005
Height, mm	1076
Passage width, mm	600
Mechanism	Servo-driven (Triservo-M)
Blocking system	Two electromagnetic stoppers
Emergency mode (fire-alarm)	Fail-safe (lowering the leash)
Drop arm function	Drop arm function can be activated when power is on Drop arm function activates automatically when power goes off
MCBF, cycles	5 000 000

Electrical Specifications:

Maximum power consumption, W	55
Voltage	From the AC (100-240)V, 50/60Hz; from a DC source 12 V

Finishing

Standard housing	Brushed SS AISI 304
Available housing	Brushed SS AISI 316; Polished SS AISI 304; Polished SS AISI 316; Powder coated RAL



Specifications are subject to change without prior notice.

