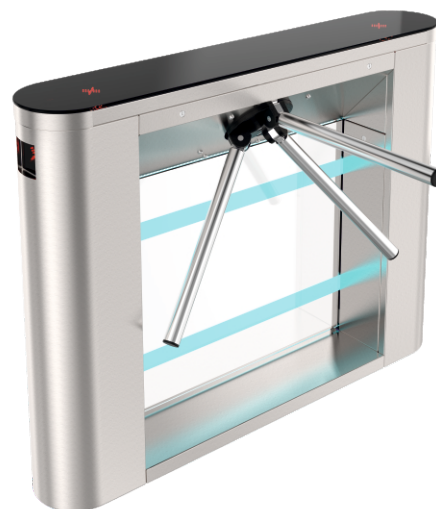


GALAXY-M

Galaxy-M - a stylish bi-directional motorized tripod which combines the durability of stainless steel with the elegance of tempered glass.

Smooth and silent operation, LED indicators for clear user guidance, compatibility with various access control systems and RFID readers, integrated automatic drop-arm system – all these makes Galaxy-M a universal solution to elevate your security to the next level.



STAINLESS STEEL HOUSING AND GLASS WITH LIGHTS -
RECIPE OF SUCCESS FOR ANY INTERIOR



Key features:

- Possibility of tripod WI-FI control with the help of TWIC wireless control panel;
- Availability to use Galaxy-M as portable solution along with mobile platform;
- The ability to customize cabinet and top lid design as per project requirements;
- Possibility to built-in jumping over top lid alarm system, crawling under the arm alarm system & jumping over the arm + passage simulation alarm systems;
- Possibility of card collector integration;
- Availability of a backup battery connection;
- Wired remote control panel in standard kit;
- Elegant cabinet equipped with integrated LED lighting to display access status;
- Low power consumption;
- Integrated drop-arm system with automatic reset;
- Compatible with various access control systems;
- Servo-driven mechanism.



Technical Specifications:

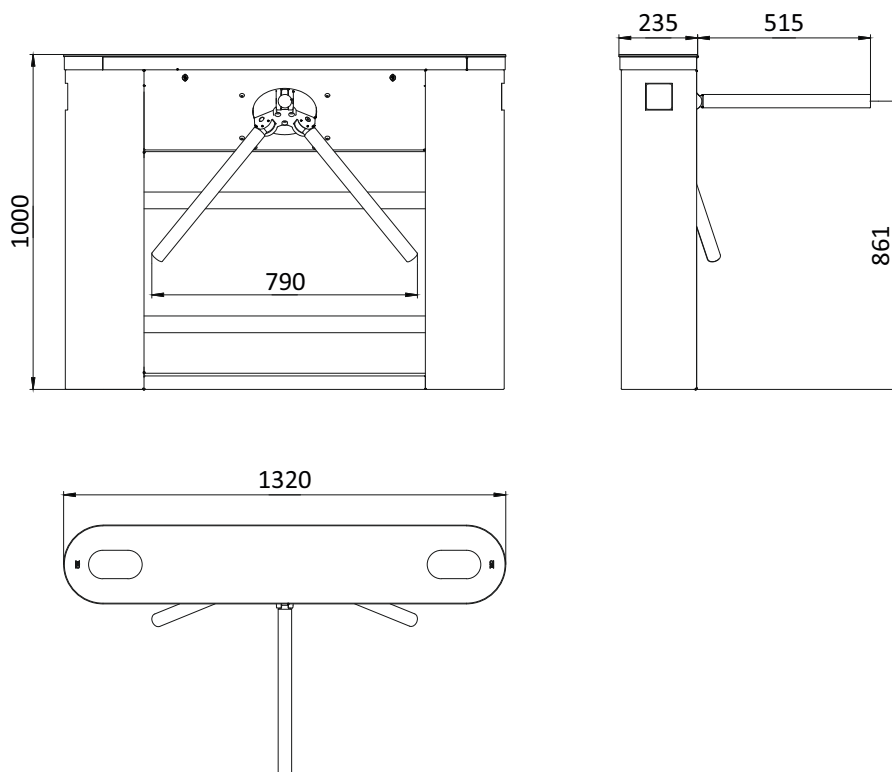
Model	Galaxy-M
Width, mm	750
Length, mm	1320
Height, mm	1006
Passage width, mm	600
Mechanism	Servo-driven (Triservo-M)
Blocking system	Two electromagnetic stoppers
Emergency mode (fire-alarm)	Fail-safe (lowering the leash)
Drop arm function	Drop arm function can be activated when power is on Drop arm function activates automatically when power goes off
MCBF, cycles	5 000 000

Electrical Specifications:

Maximum power consumption, W	55
Voltage	From the AC (100-240)V, 50/60Hz; from a DC source 12 V
Indication	DotLights®, RFIDLights®, EdgeLights®

Finishing

Standard housing	Brushed SS AISI 304
Available housing	Brushed SS AISI 316; Polished SS AISI 304; Polished SS AISI 316; Powder coated RAL



Specifications are subject to change without prior notice.



www.tiso.global
 +380 (44) 291-21-11
 e-mail: sales@tiso.global

